

## securityProbe5E (SEC5ES/V/A)

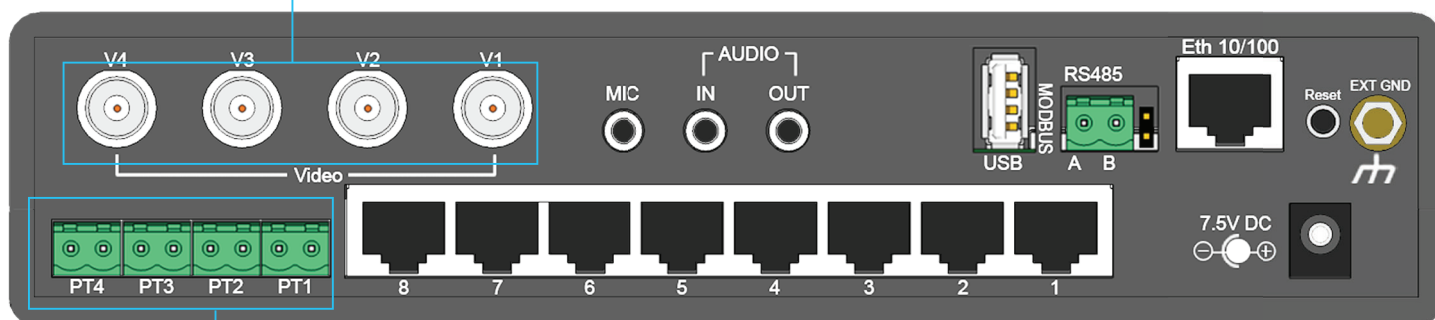


### Advanced monitoring system with video capabilities

securityProbe5E comes in several versions, the 5ES, which has no video function, 5ESV, which has 4x USB digital video inputs, and the 5ESVA which has 4x BNC analog video inputs. Packages are available with cameras included, or connect with existing analog cameras in your facility.

Optional 3G or 4G internal modems can be installed to send SMS alerts directly from the securityProbe device, or for communicating in sites with no wired network available.

BNC video input ports found on the 5ESVA device. On the 5ESV these are substituted for USB digital video inputs



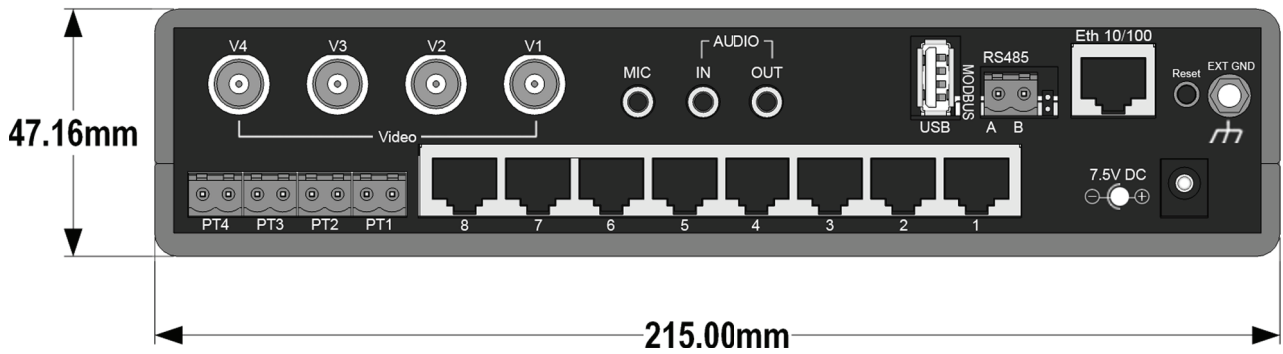
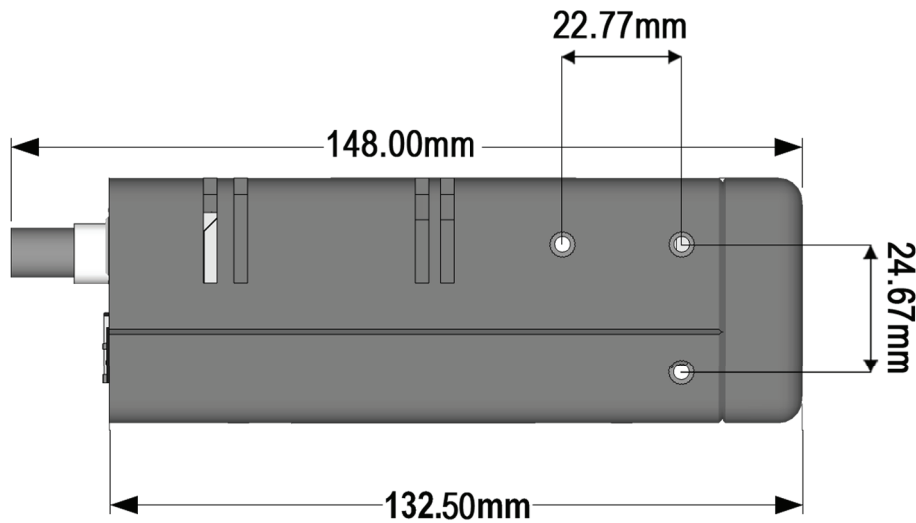
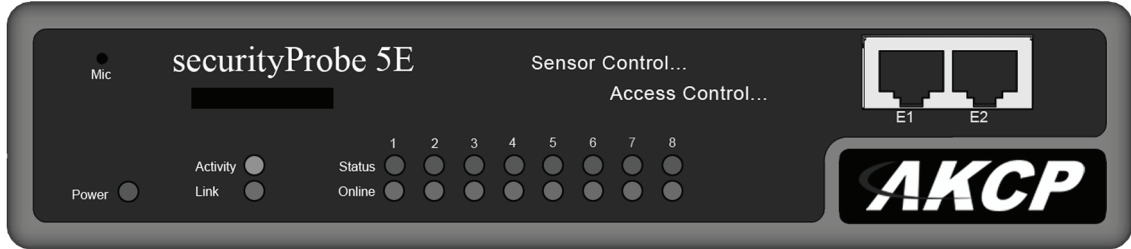
PTZ controller ports, connect with Pelco.D standard PTZ cameras to control the Pan, Tilt and Zoom from the securityProbe web interface.

## SEC5ES/V/A - Technical Specification

<b>Dimension</b>	Size 8.5" x 5.43" x 1.80" Weight 1 Kg
<b>Expansion Port</b>	2x RJ-45 Expansion Ports 115.2K BPS Data Transfer Rate Simultaneous functionality between Expansion Ports & RS485 port threshold status
<b>Mounting</b>	1U Rack Mount Standard Rack mount brackets included Compatible with AKCP's DIN and rack mount trays
<b>Power</b>	External 7.0 – 9 VDC 3A Power Adapter Input Voltage and Current ratings : 100V~240V - 1A  Optional - DCW : external +/- 40~60V DC input
<b>Power Consumption</b>	Typical 5.025 Watt, 0.67A
<b>Status Indication</b>	LED indication for power LED for network connectivity LED for sensor online and threshold status
<b>Components</b>	Manufactured using highly integrated, low power surface mount technology to ensure long term reliability. CPU: AKCP i.MX25 Processor 128 MB On-Board NAND Flash HC SD Memory Slot on-board (up to 16GB)
<b>Operating Environment</b>	Temp : Min. -35° C – Max. +55° C Humidity : Min. 20% – Max. 80% (Non-Condensing)
<b>MTBF</b>	400,000 Hours
<b>Connectivity</b>	Ethernet 10/100 Mbps Optional Internal 3G/4G modem
<b>Inputs</b>	8x RJ-45 Sensor Ports 2x RJ-45 Expansion Ports 1x USB 2.0 Modem Port Audio In (Analog) 2.5" jack Internal Microphone RS485, 2 Pin Terminal box, (used for Modbus)
<b>Outputs</b>	Configurable output signals (0VDC/5VDC) on any of the 8 RJ-45 sensor ports Internal Speaker Out Ext. Speaker Out, 2.5" jack (Analog) Mic Out, 2.5" jack (Analog) (For modem application)
<b>Expansion Boards</b>	8 Port Intelligent Sensors Module (E-Sensor8) 16 Port Dry Contacts Module (E-opto16) (Maximum of 500 Sensors) Cabinet Control Unit (DCU) (Up to 25 Per Chain) Extendable up to 1,000 Feet or 300 meters Expansion modules are daisy chainable
<b>Video - Analog</b>	4x Analog Video BNC input, powered externally * resolution 320x240 or 640x480 * type : NTSC or PAL 4x PTDC controller ports
<b>Video - HD digital</b>	4x AKCP High Definition Digital camera USB input resolution 320x240 or 640x480 4x PTDC controller ports

# SEC5E - Technical Drawing

Technical drawing illustrates SEC5ESVA, dimensions of 5ES and 5ESV are the same



securityProbe with 1U rackmount brackets

